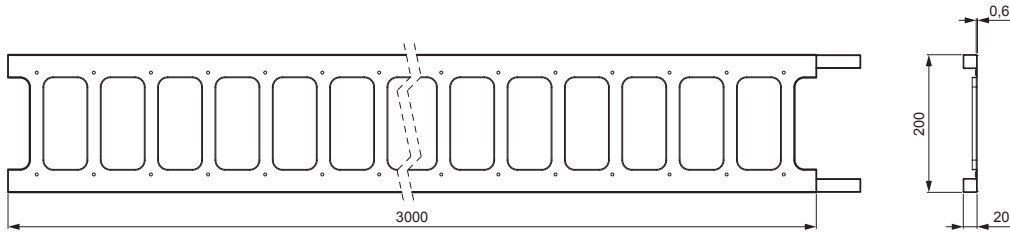


TECHNICAL SHEET

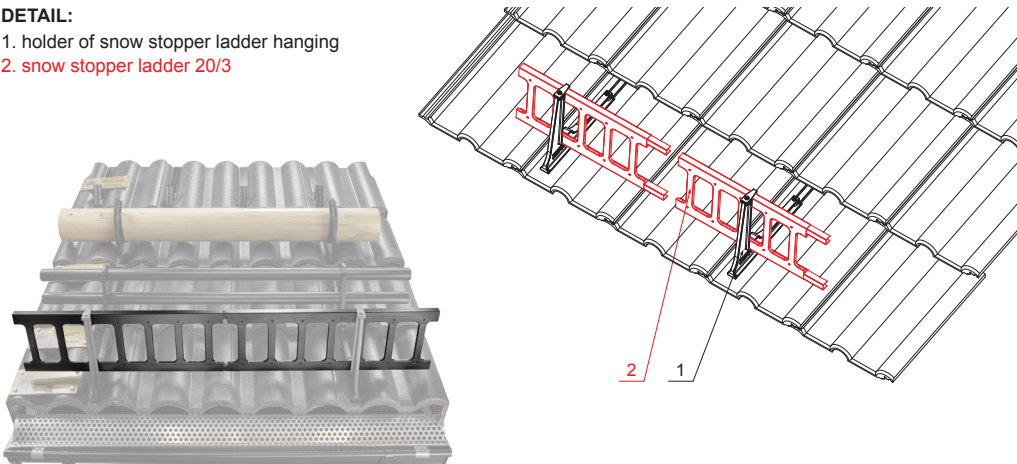
# SNOW STOPPER LADDER 20/3 20/3

# ZS-HEU PSZ R 20/3







**DETAIL:**

- 1. holder of snow stopper ladder hanging
- 2. snow stopper ladder 20/3



**TM** Galvanized steel prepainted – Testa di Moro – RAL 8028

INDEX	CHANGE	DATE	SIGNATURE			
MATERIAL BRAND			W.C.	WEIGHT kg	SCALE	
SIZE, SEMI-FINISHED PRODUCTS				STN STANDARD	SORTING NUMBER	
AUXILIARY EQUIPMENT				NOTE	POSITION NUMBER	
ELABORATED BY Ing. Kluska M.						
TESTED BY						
TECHNOLOGIST		TECHNOLOGIST		OLD DRAWING	DRAWING NUMBER	
NAME				Number of sheets		
Snow stopper ladder 20/3 20/3				ZS-HEU PSZ R 20/3 Sheet 		

Kreirano: 05.06.2026 07:08:16

Technical changes reserved