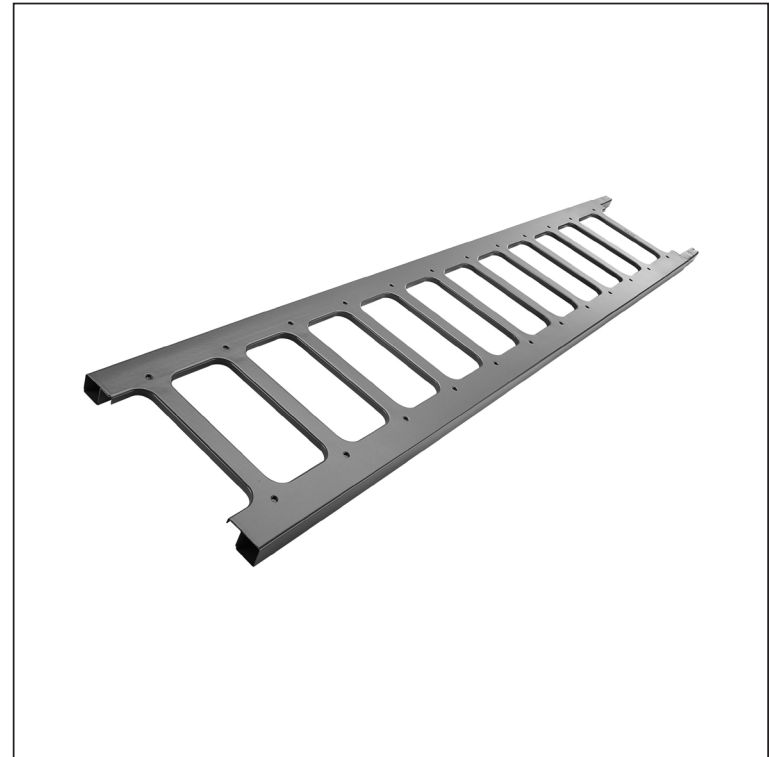
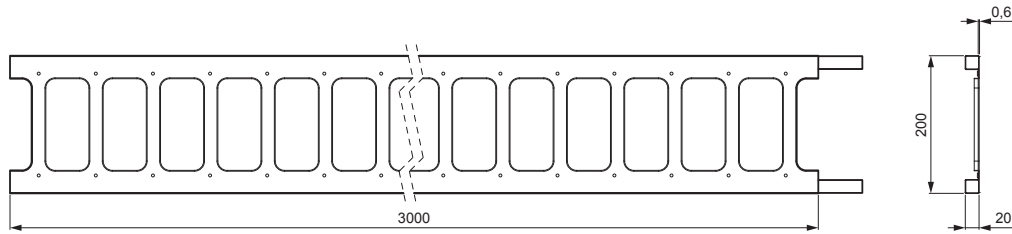


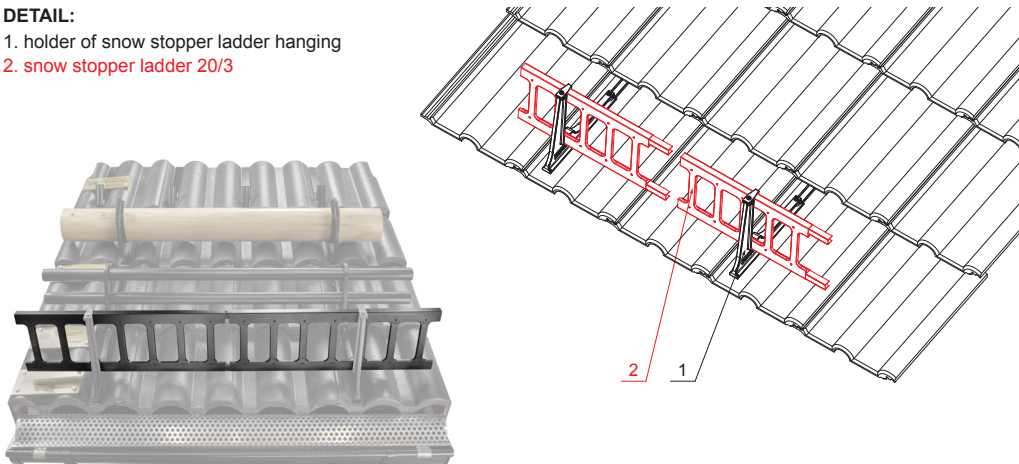
TECHNICAL SHEET

SNOW STOPPER LADDER 20/3 20/3



ZS-HEU PSZ R 20/3



- DETAIL:**
- 1. holder of snow stopper ladder hanging
 - 2. snow stopper ladder 20/3



AN Galvanized steel prepainted – Anthracite – RAL 7016

| | | | | | |
|-------------------------------|--------|--------------|-----------|---|---|
| INDEX | CHANGE | DATE | SIGNATURE |  |  |
| | | | | | |
| MATERIAL BRAND | | | W.C. | WEIGHT kg | SCALE |
| SIZE, SEMI-FINISHED PRODUCTS | | | | STN STANDARD | SORTING NUMBER |
| AUXILIARY EQUIPMENT | | | | NOTE | POSITION NUMBER |
| ELABORATED BY Ing. Kluska M. | | | | | |
| TESTED BY | | TECHNOLOGIST | | OLD DRAWING | DRAWING NUMBER |
| NAME | | | | Number of sheets | |
| Snow stopper ladder 20/3 20/3 | | | | ZS-HEU PSZ R 20/3 Sheet | |

Kreirano: 25.05.2026 03:02:17

Technical changes reserved